

# CALI DECKING™



## T.I.M.E. Pre-Installation Checklist

(888) 788-2254  
[www.CaliBamboo.com](http://www.CaliBamboo.com)

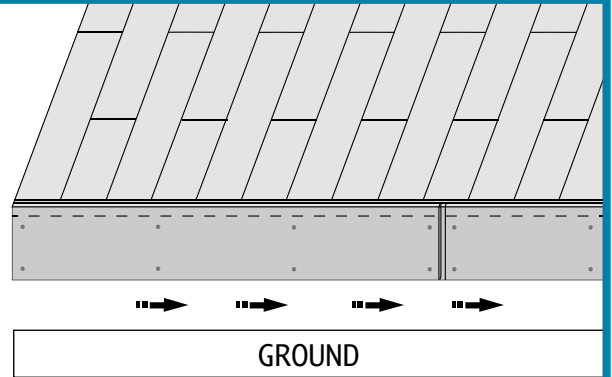
Before you begin installation, remember to take your T.I.M.E. with the checklist below. Full installation instructions and maintenance guidelines can also be found online at [www.CaliBamboo.com](http://www.CaliBamboo.com)

## T I M E TAKE TIME TO READ



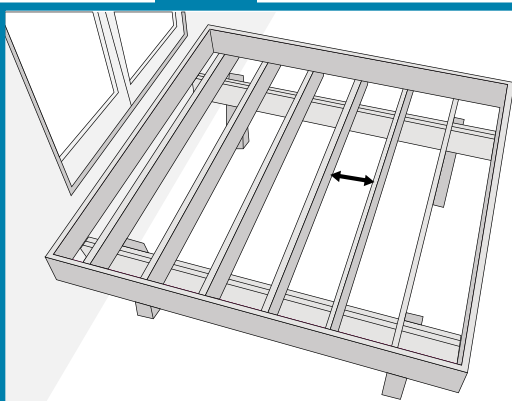
Take time to read the local building codes for any special requirements or restrictions.

## T I M E INSTALL VENTILATION



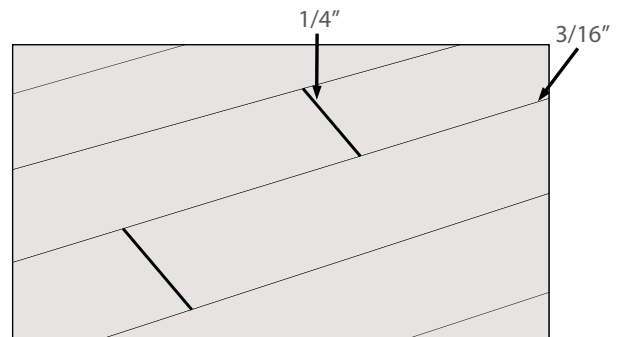
Install 4 inches of continuous net free area under the decking surface for adequate ventilation.

## T I M E MEASURE YOUR JOIST



Measure your joist spacing to ensure it is 16" on center for residential applications and 12" on center for commercial applications.

## T I M E EXPANSION SPACE



Expansion space is required! Decking boards should always have 3/16" expansion space between boards and 1/4" expansion space on all butt ends.